



FIG. 13
PRIOR ART

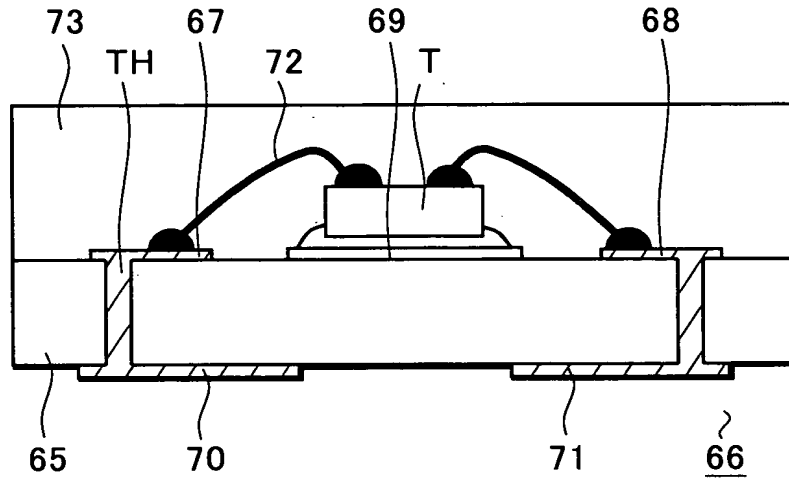


FIG. 14
PRIOR ART

